

Booth Construction

Standard Booth

All linear booths are 100 sq. feet (10' x 10') unless otherwise noted on the floor plan. Booths have a back wall drape that is 8' high, with sidewall drapes that are 4 feet high. Total height of exhibits (including decorations) may not exceed 8 feet. Any sign or display that extends higher than the 8 foot background curtain may not have any copy or design facing the direction of other companies. Display materials for linear booths is restricted to a maximum height of 4 feet in the front 5 feet of the booth, and 8 feet in the rear 5 feet of the booth.

Click here to e-mail diagram for approval:

carla@gnydm.com

Peninsula Booth

A peninsula booth is exposed to aisles on three sides. The minimum size for a peninsula is 20x20. Exhibitors requesting a peninsula configuration must adhere to the following policy: No solid construction will be permitted to exceed 48 inches in height unless at least 5 feet from the nearest aisle. Peninsula's cannot have a 20' back wall.

Click here to e-mail diagram for approval:

carla@gnydm.com

Islands

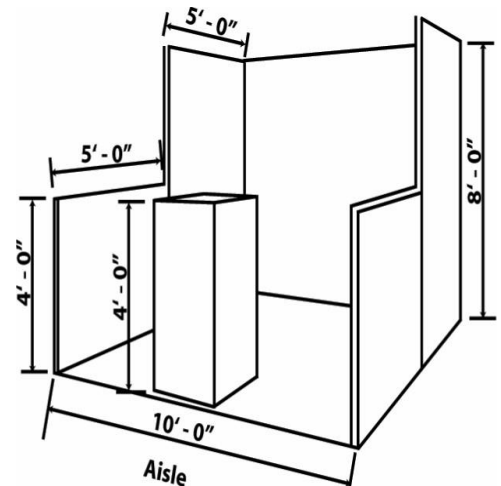
Islands are exposed to aisles on all four sides. The entire cubic content of the space may be used up to the maximum allowable height. The design of the booth must allow for see-through visibility. Approval is required by GNYDM for any exhibitors using an island configuration.

Click here to e-mail diagram for approval:

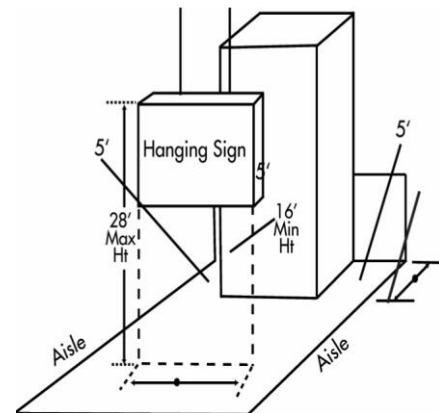
carla@gnydm.com

Hanging signs cannot exceed 28' for maximum height or be lower than 16' of said sign.

Please refer to the Exhibitors' Prospectus.



10' x 10' Linear In-Line Booth



Length of sign not to exceed 50% of the corresponding dimension of the booth.

Set back at least 25% of the booth's width dimension of the line of the booth.